



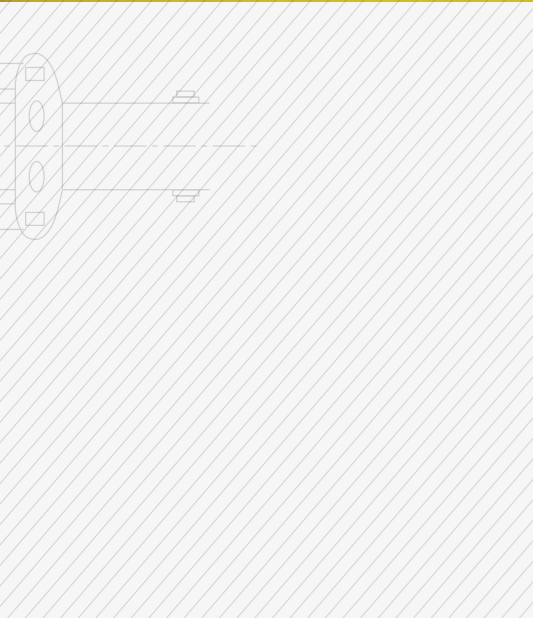
29° ▲ 45' 36.69" 95° ◀ 22' 9.80"



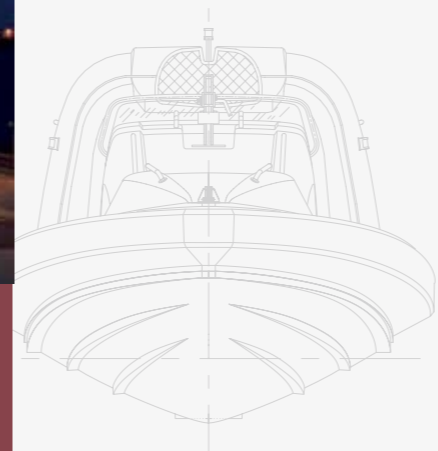
**Developing Capability
Assuring Competence
Delivering Training**

Unlock your assets' potential

000
24/7



An investment in people is an investment in the future success of any business. We're dedicated to identifying where workforce competence can be enhanced, and we have the expertise and resources to develop skills as and when improvement is needed. Our track record in the global development of workforce capability, assurance of competence and delivery of training goes back more than 30 years.



Global

Working in partnership with the multinational oil & gas industry, education and government, we provide a local service on a global scale.

In all that we do, our aim is to enable our customers to enhance performance, reduce risk and develop workforces. Our integrated approach to competence and capability development speeds up the process by which our partners can achieve competent, safer and more efficient workforces.

Our expertise can help you bring new entrants to the industry up to speed fast, through accelerated on-the-job training. With our input, your asset will be under the care of competent and highly capable local staff in next to no time.

Bring us on board early on to enjoy the maximum benefit of our involvement.

Petrofac Training Services



Competence

We provide competence consultancy, development and assurance services to the oil & gas industry and other fields in which capability and safety are of paramount importance. We can identify where workforce competence can be enhanced; deliver training and development programmes to fill skills gaps; and address competence assurance requirements on an ongoing basis.

We have at our disposal more than 500 technical experts focused on developing trade, technician, HSSE and ERCM competence, whether by instructing in blue or white collar skills, providing license to operate, or meeting local content requirements. In 2011 we trained over 56,000 delegates and are growing our training centre footprint to offer even greater capacity. It's all part of our commitment to helping you meet your own requirements for current and future technical expertise to deliver your projects.



On the ground

- ▶ We have co-managed the Caspian Technical Training Centre (CTTC) in Baku, Azerbaijan on behalf of BP and its partners since 2003. We have delivered competence based, hands-on training – and English language instruction – to over 1,000 Azerbaijani technicians who are predominantly new to the industry. CTTC provides comprehensive technical training programmes for the start-up, operation and maintenance of petrochemical plants, health and safety, lifting operations and technical English language training.
- ▶ The Chemical Process Technology Centre (CPTC) on Jurong Island was designed in direct response to oil & gas and petrochemical industry needs in Singapore. In 2008, we took over its management from the Economic Development Board of Singapore. CPTC provides operations and maintenance training and assessment in line with actual operations, including on a live hydrocarbon plant. We deliver on-the-job training in a controlled environment to accelerate job readiness, often by as much as 12 months.
- ▶ As part of Petrofac Group's commitment to developing local skills within the oil & gas industry for the Algerian Government, we designed and built a construction skills training centre in Hassi Massoud, Algeria. Petrofac Training Centre, completed in 2011, has the capacity to train up to 400 delegates a year. The curriculum on offer is primarily skills based, with a strong emphasis on health and safety. Five specialist trade areas are covered: instrumentation, electrical, mechanical, pipe fabrication and welding. All materials and training are delivered in French.



Global reach

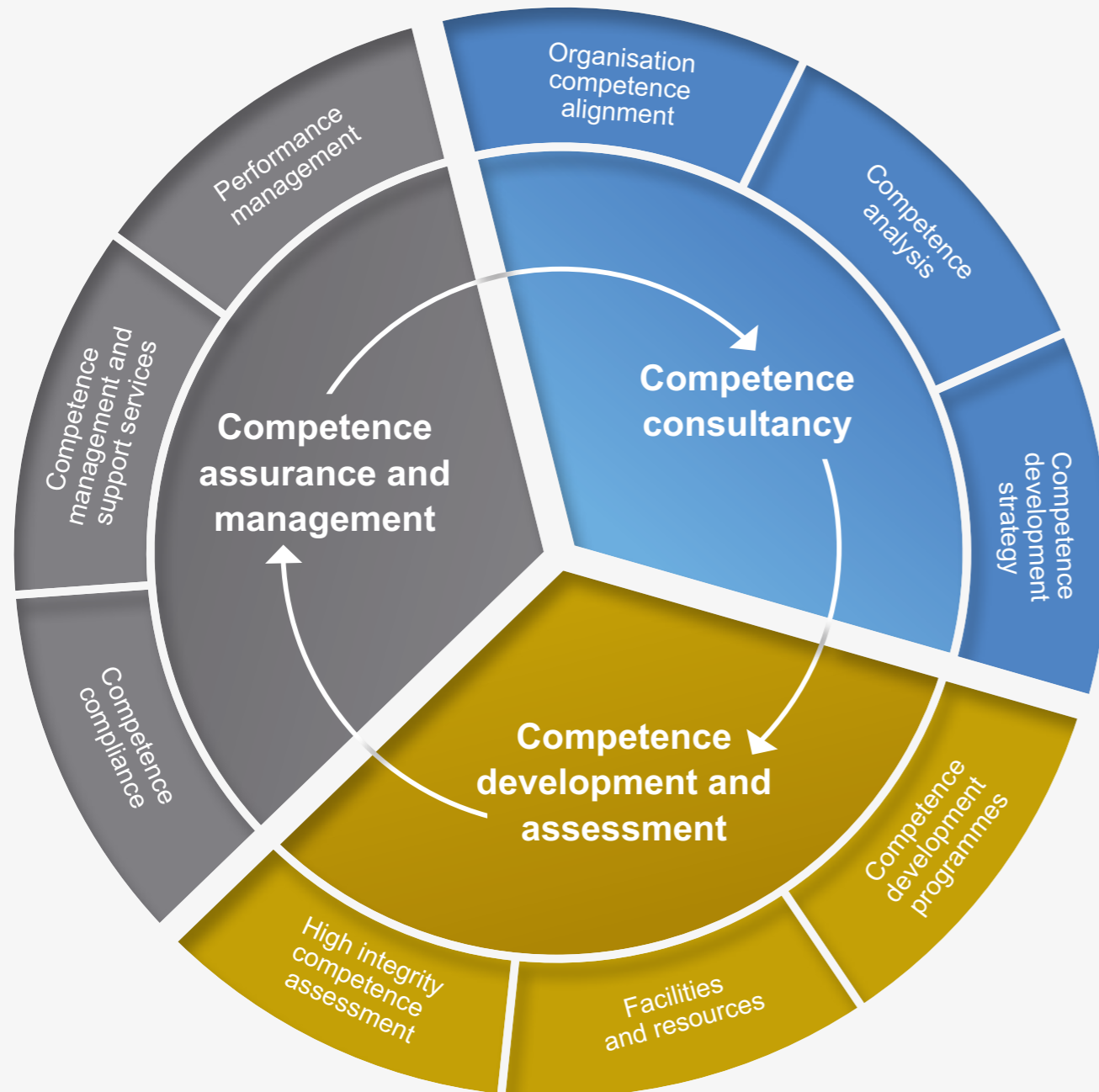
It's our goal to be readily available, whenever and wherever you need us. Our customers have assets around the world, and we can provide prompt assistance and support in every region via our extensive network of offices and training centres, which reaches around the globe.

We operate training centres in Europe, the Americas, the Middle East, North Africa, Asia Pacific and the Caspian regions to serve our international customer base. Where a customer's development needs are significant, we can design, build, operate and transfer state-of-the-art training facilities on behalf of or in partnership with our partners and customers.

Working in partnership with you

From competence consultancy to competence assurance, we can provide end-to-end workforce capability solutions to our customers.

Our delivery model covers the following three key stages and closely aligns with the project delivery requirements for an individual asset. Depending on your needs, we can support your company in one or more of these areas.



Competence consultancy

Enhancing workforce competence is key to the success of oil & gas operations. As well as reducing risk and ensuring safety, a more capable workforce can help you to build your company's reputation and achieve better returns for the business.

We partner with oil & gas customers around the world to identify where current and future capabilities must be developed. We then co-create and deliver a solution to address these gaps.

Our innovative competence consultancy offering uses a suite of tools and services to uncover areas for improvement. We tailor our service to provide specific insights for the individual customer. So you can harness our strategic insight, technical expertise and in-depth knowledge of the industry to maximise performance where it really counts.

Once we've identified where competence can be developed, we can use our extensive resources to design and deliver a comprehensive training solution that's tailored to respond effectively to your workforce needs.

Competence development and assessment

We have the capability to see your competence development strategy through from inception to implementation – and offer ongoing assurance.

Our services also include facilities solutions. We're able to support our customers at every stage, including investment; the design, engineering and construction of a purpose-built training facility; its ongoing management and operation; and finally, the transfer of the facility to your own management.

If you prefer to visit one of our own training centres, we have facilities in locations across Europe, the Americas, the Middle East, North Africa, the Caspian area and Asia Pacific (including Sakhalin Island).

As global experts in the delivery of comprehensive training solutions for the oil & gas industry, we have the infrastructure to successfully develop and conduct safety, technical, construction skills and behavioural training for our customers.

All successful development programmes are underpinned by a thorough and well-documented strategy. Our experts are highly experienced in developing high quality training materials, and we support delivery with detailed execution plans and methodology documents that are aligned with your needs.

Competence assurance and management

We can all appreciate how crucial it is for any company involved in the oil & gas industry to demonstrate compliance and proven competence in all areas – both now and in the future.

So we offer a comprehensive competence assurance and management service. You can select from our range of auditing tools to assure and manage workforce competence in-house, or you can free up personnel by assigning the task to us instead.

Central to our monitoring and assessment of strategy outcomes is our world-class SkillsXP software. Support for SkillsXP comes from our tailored competence management solutions and training management solutions. Together they provide a robust means of managing all competence and capability assurance requirements across your company.

Our global offering



- Main Training Centres
- Regional Office
- Strategic Agreement
- Joint Venture

We can utilise our delivery model across the four key areas of functional specialism we operate in:

- ▶ Competence Solutions
- ▶ Technical Skills training
- ▶ Fire, Safety and Survival training
- ▶ ERCM (Emergency Response and Crisis Management)



24/7

We specialise in equipping your personnel with the skills they need to do the job safely and effectively. We can also take responsibility for handling the unexpected, leaving you to concentrate fully on your core business.

Petrofac Training Services has the knowledge and expertise to deliver the broad range of services above. We can also tailor any of these to meet your organisation's exact requirements.



Focus

Competence Solutions

Consultancy

- ▶ Education Market
- ▶ Infrastructure Appraisal
- ▶ Country/Customer
- ▶ Capability Needs Analysis
- ▶ Operations/Project
- ▶ Skills Gap Analysis
- ▶ Training Needs Analysis
- ▶ Role/Duty/Task Analysis
- ▶ Learner Analysis
- ▶ Topical Precedence Diagrams
- ▶ Organisational Design
- ▶ Training Centre Design
- ▶ Training Skids Design
- ▶ CMS/SkillsXP Design

Technical Skills training

Externally Accredited and Certified Training

- ▶ HSE
- ▶ Behavioural Safety (Control Room)
- ▶ Permit to Work
- ▶ Front Line Leadership
- ▶ Process Operations
- ▶ Mechanical
- ▶ Electrical
- ▶ Instrumentation
- ▶ Construction Carpentry
- ▶ Earth Moving Equipment
- ▶ Civil Skills
- ▶ Welding
- ▶ Mechanical Installation
- ▶ Electrical Installation
- ▶ Pipe Fitting
- ▶ Instrumentation Installation

Fire, Safety and Survival training

Externally Accredited and Certified Training

- ▶ HSE
- ▶ Fire Fighting
- ▶ Offshore Water Survival
- ▶ Marine
- ▶ Training Management Services

ERCM

Consultancy and External Accredited Training

- ▶ Emergency Response
- ▶ Crisis Management
- ▶ Major Emergency Management
- ▶ Business Continuity Management
- ▶ Emergency Response Operation Centres (eg: North Sea)

Competence consultancy

Whether providing an end-to-end solution or focusing on one area of competence development in particular, we will link our involvement to the appropriate stage in the life cycle of your project.

Whatever kind of project you bring us in on, ideally we'll be involved in competence consultancy from the initial planning and design phase. By understanding the construction and operational requirements of the project, we are best placed to identify early on the human capital and competence levels required to get your project off the ground.

We'll be equally happy to assist with competence development and assessment, to ensure that your workforce is prepared well in advance of construction commencing. With our help, you can reduce delivery risk by having a sufficient supply of quality local personnel at your disposal.

We can also use our experience and technical know-how to help customers uncover the best ways to improve the efficiency of a site and extract more value from it. By analysing the current capabilities of the workforce, we can identify and put in place training to address the skills gaps standing in the way of optimum production.

Operational capability

Our unrivalled expertise in curriculum development across all disciplines means we can design, deliver and evaluate customised programmes or modify a standard course to meet your specific objectives. We also offer an extensive range of pre-approved, industry-recognised training.

Courses deliver short, training-led interventions while programmes provide a clear pathway for progression in knowledge and skills. Learning generally takes place in the classroom or in a purpose-built training environment, but we can also deliver on-the-job training for personnel unable to leave their duty stations.

Our multilingual training team breaks down the linguistic barriers to learning, and we can deliver basic and technical English language training.

Technical training

This technical training covers all aspects of operations in both the upstream and downstream sectors. Personnel are instructed in the latest design and engineering construction techniques relevant to the industry.

We provide operations, maintenance and construction skills training across the world, including from key facilities in Baku, Azerbaijan (Caspian Technical Training Centre); Jurong Island, Singapore (Chemical Process Technology Centre); Hassi Messaoud, Algeria (Petrofac Training Centre); and Sakhalin Island, Russia (Sakhalin Technical Training Centre).



Solutions



Fire, safety and survival training

We have a strong track record of more than 30 years' experience in delivering fire, safety and survival training to the offshore energy industry. Some of our instructors have accumulated as many as 20+ years' expertise in designing and delivering training courses.

Our facilities are similarly impressive. State-of-the-art training modules in all locations that deliver these courses allow delegates to receive realistic training in controlled environments.

Emergency Response and Crisis Management

Involvement in any high-risk industry means putting a great deal of thought and training into the mitigation of a wide range of disaster scenarios.

Our specialist consultants can deliver a full emergency response and crisis management (ERCM) service, helping clients to develop strategies and solutions to protect individuals and the environment, while minimising the impact of disruption to the business.

We not only work with you at the strategic level, we also have the expertise to implement and maintain 'best in class' ERCM systems.

A complete ERCM solution will typically involve an analysis of current arrangements, preparation of emergency response plans, delivery of training and assessment and provision of Emergency Response Service Centre (ERSC) support, a global, 24/7 complete emergency response solution.



Contact



24/7

To find out more about how partnering with us can benefit your business, speak to us today. We'll be delighted to receive your call.

Europe

Scotland Aberdeen
Bridge View, 1 North Esplanade West,
Aberdeen, AB11 5QF, UK

Business development
Tel: +44 1224 899 707
Email: busdev-europe@petrofactraining.com

Customer service
Tel: +44 1674 672 230
Email: bookings@petrofactraining.com

Netherlands Leiden
Kanaalpark 145, 2321 JV Leiden,
The Netherlands

Business development
Tel: +31 (0)71-789 07 17
Fax: +31 (0)71-572 77 35
Email: busdev-skillsxp@petrofac.com

The Americas

USA Texas
16810 Barker Springs, Suite B200
Houston, Texas 77084

Business development
Tel: + 1 281 558 5820
Email: busdev-americas@petrofactraining.com

Asia Pacific

Singapore Singapore
Chemical Process Training Centre, 81 Jurong
Island Highway, Singapore 627837, Singapore

Business development
Tel: +65 6880 2000
Email: busdev-asiapacific@petrofactraining.com

Russia Sakhalin
Sakhalin Technical Training Centre (STTC),
Mira Avenue 6G Yuzhno-Sakhalinsk,
693000, Russia

Business development
Tel: +7 42 42 46 22 71
Email: busdev-sakhalin@petrofactraining.com

Middle East, Africa and Central Asia

United Arab Emirates Sharjah
Petrofac House, Al-Khan Road,
PO Box 23467, Sharjah, UAE

Business development
Tel: +971 6574 0999
Email: busdev-meaca@petrofactraining.com